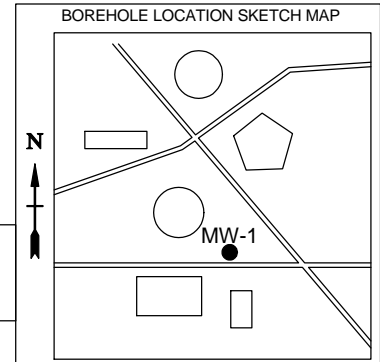




ACME CONSULTING  
 1234 Anystreet  
 Somewhere, Someplace  
 Telephone: 534 123 4567  
 Fax: 534 321 4567

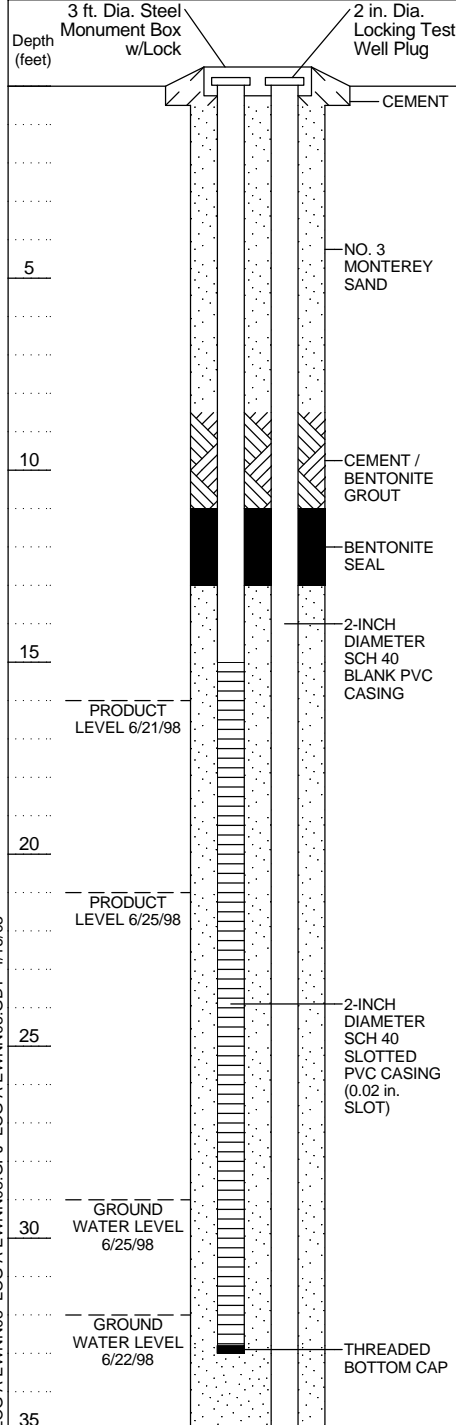


# WELL CONSTRUCTION LOG

BOREHOLE NUMBER <b>MW-1</b>		PROJECT NUMBER / NAME <b>ABC-123 / gINT Example</b>		LOCATION <b>123 Main Street</b>	
APPROVED BY <b>I.C. Moore</b>		DRILLING CONTRACTOR / DRILLER <b>AAAAA Drilling / I. Core</b>		LOGGED BY <b>A. Bore</b>	
DRILLING EQUIPMENT / METHOD <b>ACME Z-99 / Hollow Stem Auger</b>		BIT SIZE / BIT TYPE <b>8 in. / Auger</b>		SAMPLING METHOD <b>SS 2 in. O.D.</b>	
CASING MATL. / DIAMETER <b>Sch. 40 PVC</b>		SCREEN: TYPE <b>Slotted</b>		MATERIAL <b>PVC</b>	
ELEVATION OF: <b>(FT. ABOVE MSL)</b>		GROUND SURFACE <b>123.4</b>		TOP OF WELL CASING <b>124.5</b>	
		TOP & BOTTOM SCREEN <b>108.4 / 74.4</b>		GW SURFACE <b>94.4</b>	
				DATE <b>6/25/98</b>	
				TOTAL LENGTH <b>23</b>	
				DIA. <b>4 in.</b>	
				SLOT SIZE <b>0.02 in.</b>	

Depth (feet)	Sample Number	OVA Values (ppm)	Visual Description
0			LEAN CLAY(CL) firm, low to moderate plasticity, gray, dry
5	1	800	NO. 3 MONTEREY SAND
10	2	1000+	SANDY LEAN CLAY(CL) stiff, moderate plasticity, fine to medium sand, gray and brown mottled, moist
15		No sample	2-INCH DIAMETER SCH 40 BLANK PVC CASING
20	3	700	SANDY POORLY GRADED GRAVEL(GP) medium dense to dense, fine to coarse gravel, fine to medium sand, gray, wet to saturated
25	4	600	2-INCH DIAMETER SCH 40 SLOTTED PVC CASING (0.02 in. SLOT)
30	5	750	SANDY SILT(ML) stiff to very stiff, low plasticity, fine sand, tan
35			SILTY SAND(SM) dense, fine to medium, non-plastic, tan

LOG A EWINN08 LOG A EWINN08.GPJ LOG A EWINN08.GDT 4/16/03



PRODUCT LEVEL 6/21/98

PRODUCT LEVEL 6/25/98

GROUND WATER LEVEL 6/25/98

GROUND WATER LEVEL 6/22/98



ACME CONSULTING  
 1234 Anystreet  
 Somewhere, Someplace  
 Telephone: 534 123 4567  
 Fax: 534 321 4567

# WELL CONSTRUCTION LOG

BOREHOLE NUMBER  
**MW-1**

PROJECT NUMBER / NAME  
**ABC-123 / gINT Example**  
 APPROVED BY  
**I.C. Moore**

LOCATION  
**123 Main Street**  
**Somewhere, California**

Depth (feet)	(continued)	Graphic Log	Visual Description	Depth (feet)	Sample Number	OVA Values (ppm)
.....	.....	.....	.....	.....	6	500
.....	.....	.....	.....	.....	.....	.....
.....	.....	.....	.....	.....	.....	.....
40	.....	.....	.....	40	.....	.....
.....	.....	.....	.....	.....	7	600
.....	.....	.....	.....	.....	.....	.....
.....	.....	.....	.....	.....	.....	.....
45	.....	.....	.....	45	.....	.....
.....	.....	.....	.....	.....	.....	.....
.....	.....	.....	.....	.....	.....	.....
50	.....	.....	.....	50	.....	.....
.....	.....	.....	.....	.....	8	400
.....	.....	.....	.....	.....	.....	.....

Bottom of borehole at 51.5 feet.